

MAXPULL WINCH[®]

Ver.2

APPLICATIONS

ChainBlock vs. Winch

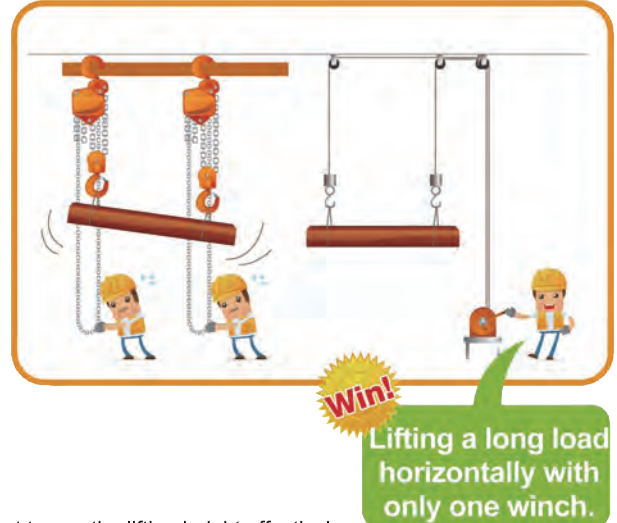
Customers worry No.1

The heavy load is lifted up, and they do not want to work under the load.



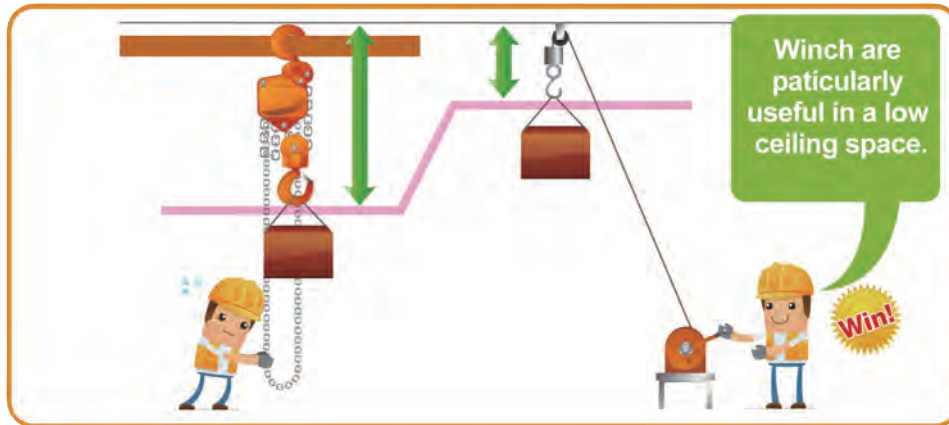
Customers worry No.2

They want to lift the long load horizontally. If possible, they would like to do alone.



Customers worry No.3

The factory is an old building, the ceiling is low. They want to use the lifting height effectively.



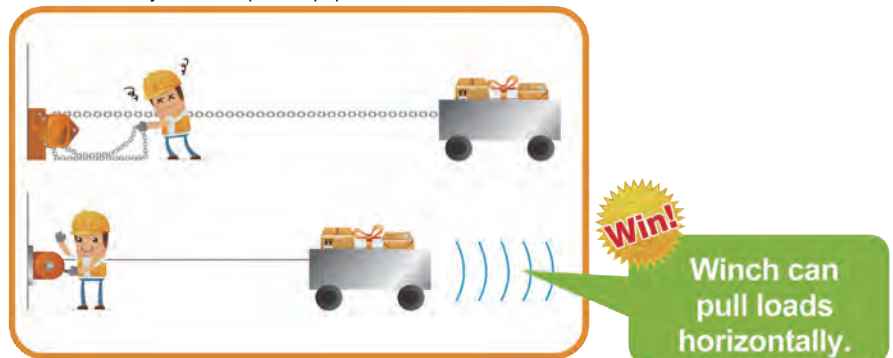
Customers worry No.4

They want to lift the load up to high places, and work safely on the floor.



Customers worry No.5

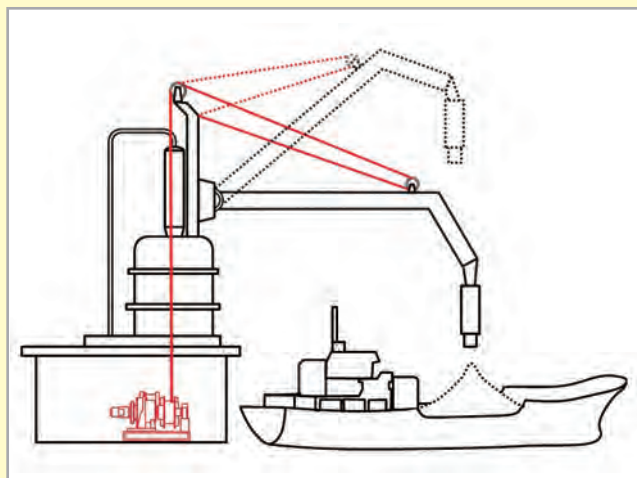
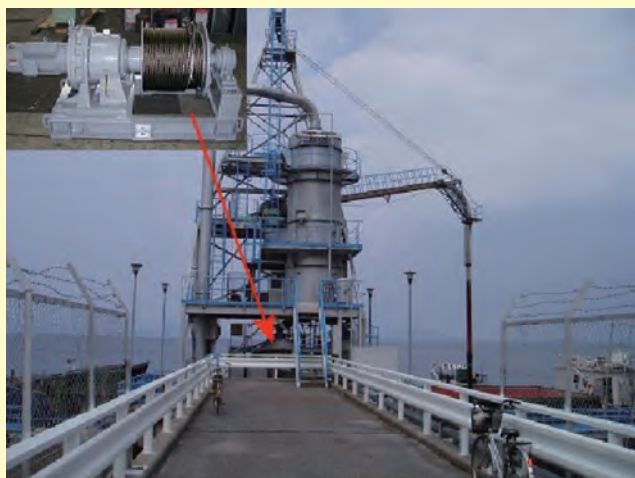
They want to pull horizontally the truck equipped with heavy load, and use safely and compact equipment.



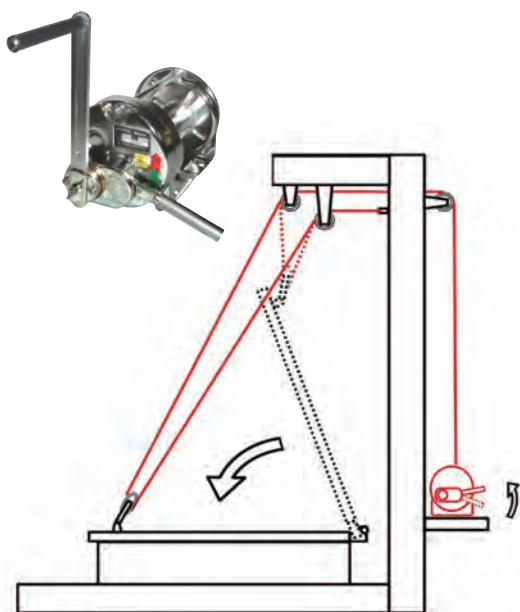
IMPORTANT! MAXPULL winches are not for lift or move people. Also do not lift loads over people.
Be sure to confirm regulations in your country or region to determine the suitability of the winch to intended use and read the Instruction Manual supplied with the equipment before operating winch.

Gravity is our only rival!

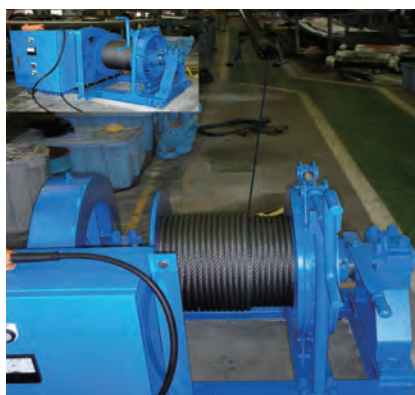
マックスプルウィンチ®



Vacuum unloader boom



Fan damper



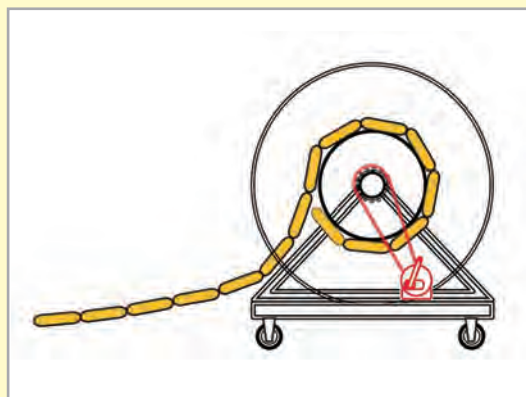
Machine for pulling shaft of submarine cable



Belt conveyor angle adjustment



Truck for landing on yacht in yacht harbor



Winding oil fences

IMPORTANT! MAXPULL winches are not for lift or move people. Also do not lift loads over people.

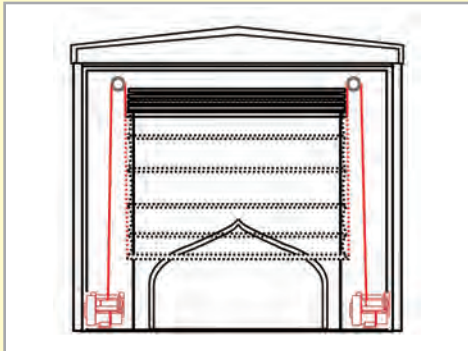
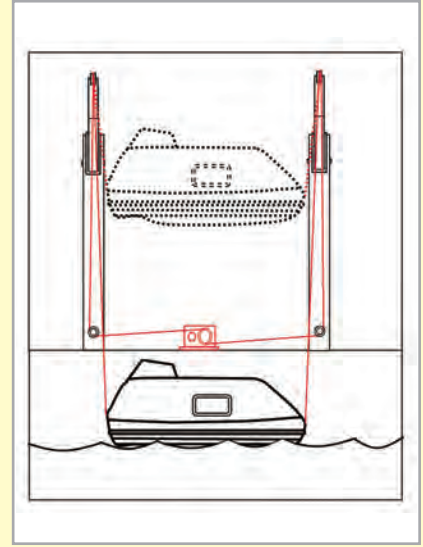
Be sure to confirm regulations in your country or region to determine the suitability of the winch to intended use and read the Instruction Manual supplied with the equipment before operating winch.



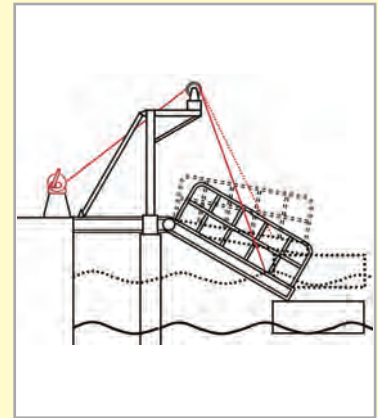
Boarding ramp for ship



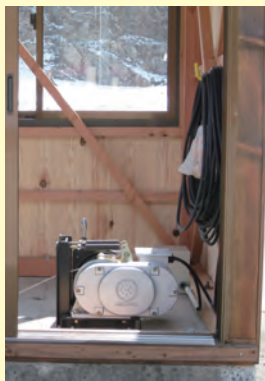
Boat davit winch



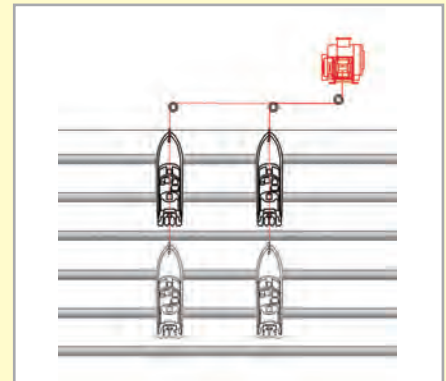
Booth partition nets for ship painting



Pier lifting and lowering



Boat hauling



IMPORTANT! MAXPULL winches are not for lift or move people. Also do not lift loads over people.
Be sure to confirm regulations in your country or region to determine the suitability of the winch to intended use and read the Instruction Manual supplied with the equipment before operating winch.

Gravity is our only rival!

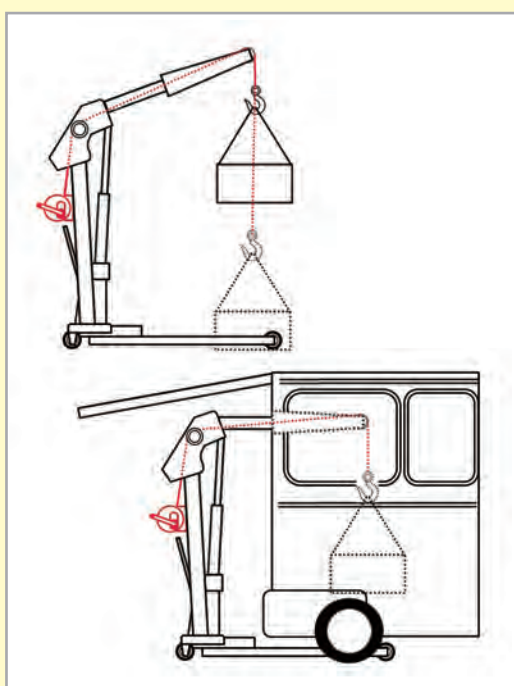
マックスプルウィンチ®



Surface of LED message board



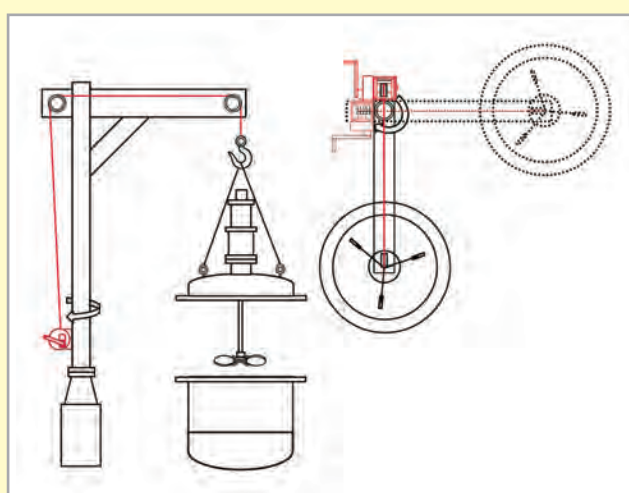
Back surface of LED message board



Engine crane

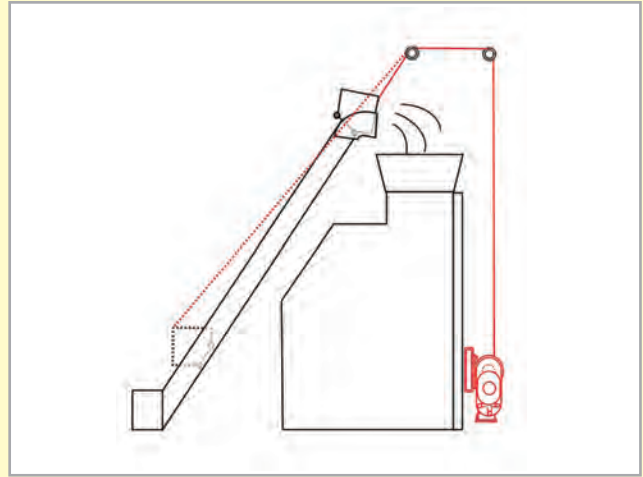


Electric jib crane in cleanroom



Jib crane for cleanroom

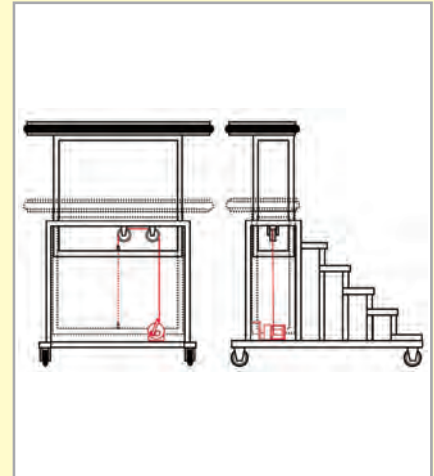
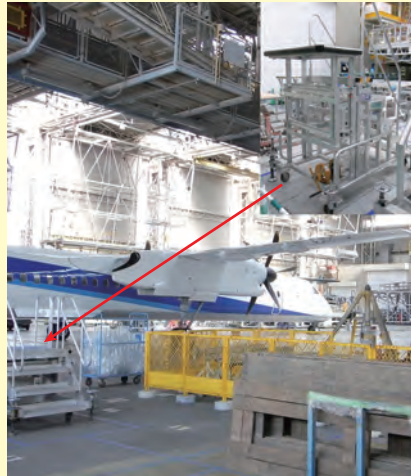
IMPORTANT! MAXPULL winches are not for lift or move people. Also do not lift loads over people.
Be sure to confirm regulations in your country or region to determine the suitability of the winch to intended use and read the Instruction Manual supplied with the equipment before operating winch.



Skip hoist



Aerial work platform



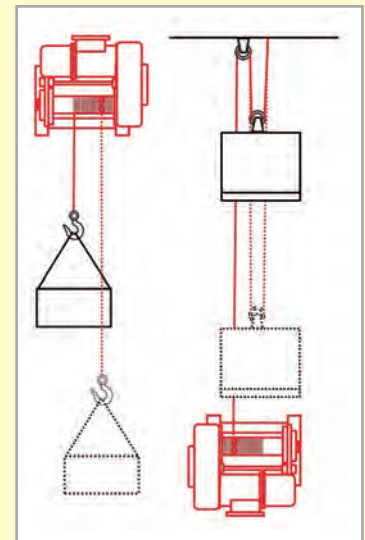
Work benches at hanger shed



Floodlight unit



Small-scale luggage lift



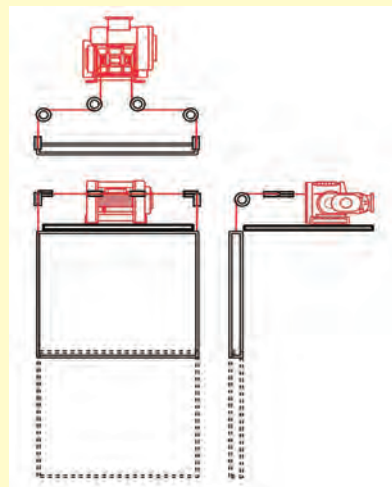
IMPORTANT! MAXPULL winches are not for lift or move people. Also do not lift loads over people.
Be sure to confirm regulations in your country or region to determine the suitability of the winch to intended use and read the Instruction Manual supplied with the equipment before operating winch.

Gravity is our only rival!

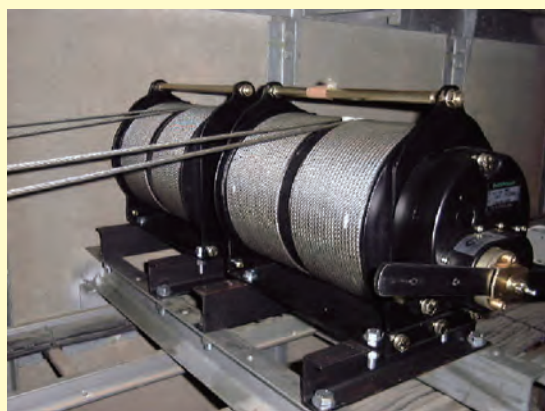
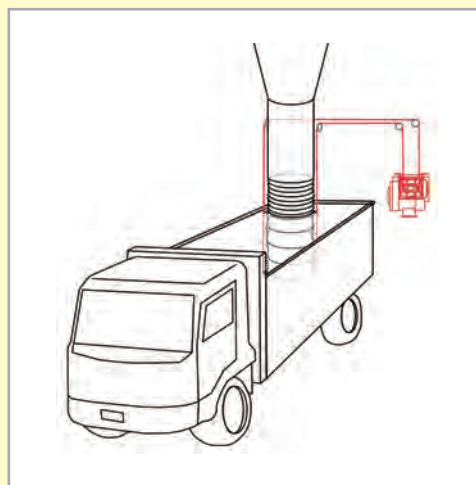
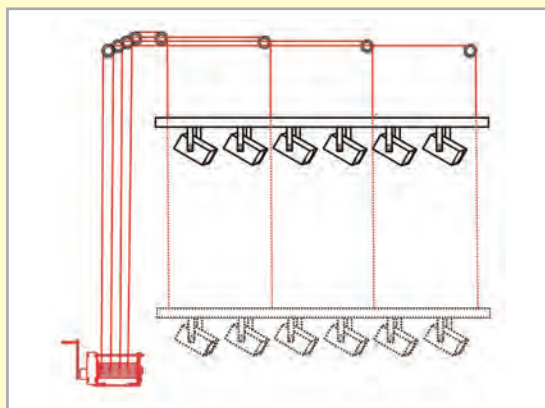
マックスプルウィンチ®



Charcoal recycling equipment

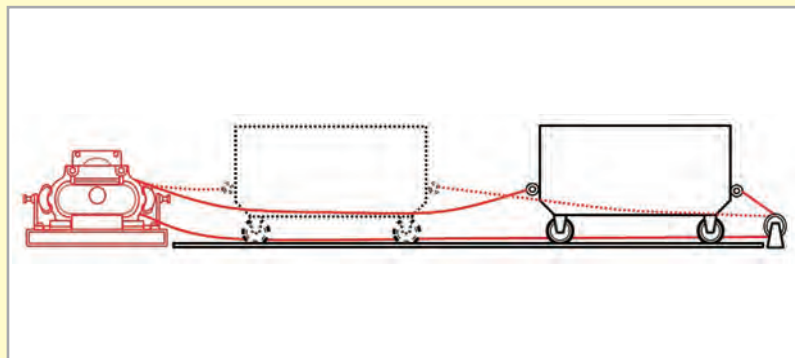


2 ropes winch for lifting gate



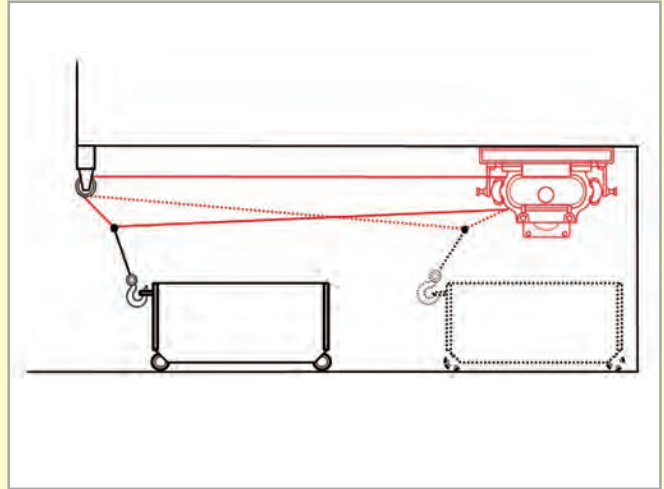
4 ropes hand winch for lifting drop curtain

2 ropes winch for stretch chute



Pulling truck in both directions for carrying ingots in aluminum melting furnace

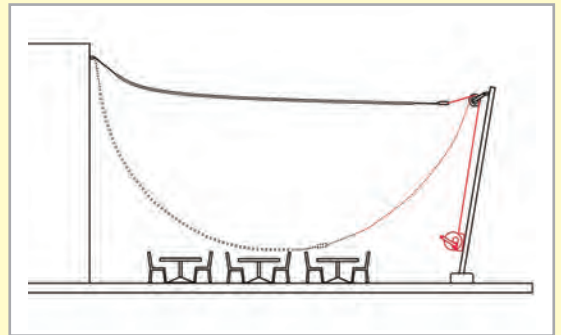
IMPORTANT! MAXPULL winches are not for lift or move people. Also do not lift loads over people.
Be sure to confirm regulations in your country or region to determine the suitability of the winch to intended use and read the Instruction Manual supplied with the equipment before operating winch.



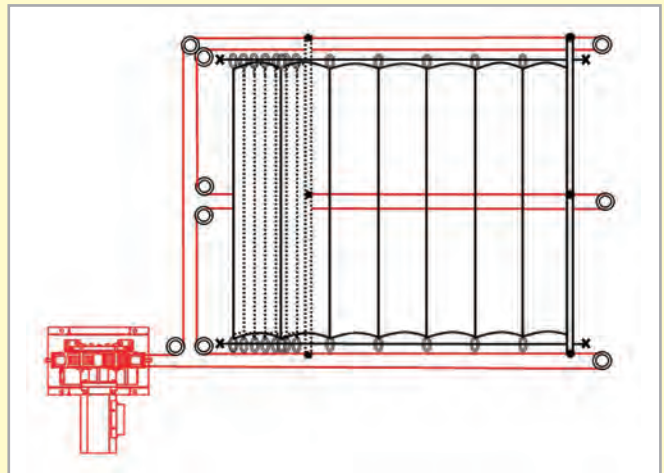
Machine for carrying cargo for reuse of waste out



Lifting a blocking sheet at warehouse doorway



Sunshade tent

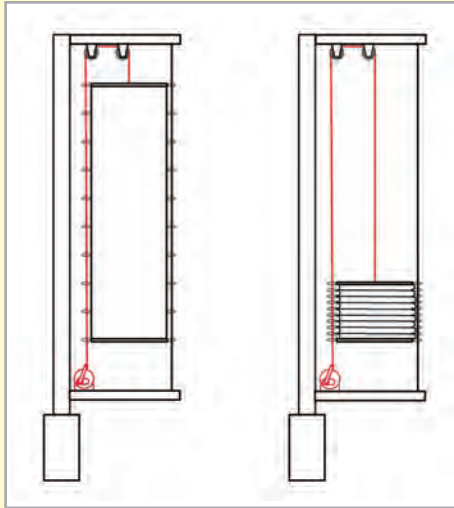


Multipurpose outdoor stage

IMPORTANT! MAXPULL winches are not for lift or move people. Also do not lift loads over people.
 Be sure to confirm regulations in your country or region to determine the suitability of the winch to intended use and read the Instruction Manual supplied with the equipment before operating winch.

Gravity is our only rival!

MAXPULL WINCH



Vertical banner lifting

3 sides vertical banner



Fire fighting hose hanger



Baseball field safety nets



Disaster emergency radio relay antenna



Golf driving range safety nets lift system

Manufacturer


MAXPULL MACHINERY & ENGINEERING CO., LTD.
マックスプル工業株式会社
 1296 - 22, Nakaya, Nishifukui, Nagareyama-shi, Chiba
 270-0107, JAPAN
 TEL: +81-4-7186-6797 FAX: +81-4-7186-6798
 E-mail: info@maxpull.co.jp
<http://www.maxpull.co.jp>

Quality Certificate 



MAXPULL URL

MAXPULL USA CORPORATION
 788 110th Ave NE Suite N1404 Bellevue,
 WA 98004
 TEL: +1-425-443-2111
 E-mail: maxpull.usa@gmail.com
<http://www.maxpullusa.com>



MAXPULL USA URL

● Because of continued product improvement, we change the specifications, dimension and appearance without notice.

MAXPULL winches are not for lift or move people. Also do not lift loads over people.

rev.5. 2018/08, 6H, PS